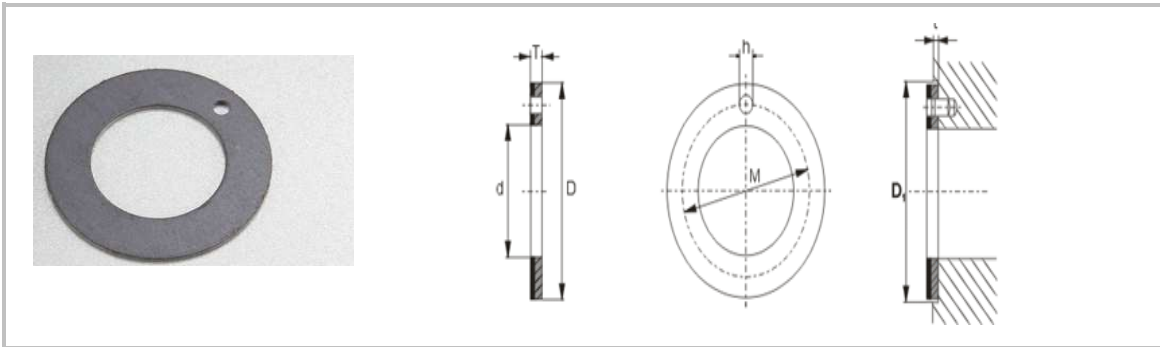


Thrust Washer Standard Size (PVB-010, PVB-011, PVB-012, PVB-013, PVB-014, PVB-015, PVB-016, PVB-017)



Unit:mm

Journal Diameter	Num.	Size of Washer				Size for installation		
		d ^{+0.25}	D ^{-0.25}	T ^{-0.05}	M ± 0.12	H ^{+0.4} 0.1	T ± 0.2	D1 ^{+0.12}
8	WC10PVB-01	10	20	1.5	15	1.5	1	20
10	WC12PVB-01	12	24		18			
12	WC14PVB-01	14	26		20	2		
14	WC16PVB-01	16	30		23			
16	WC18PVB-01	18	32		25	3		
18	WC20PVB-01	20	36		28			
20	WC22PVB-01	22	38		30			
22	WC24PVB-01	24	42		33			
24	WC26PVB-01	26	44		35	4		
26	WC28PVB-01	28	48		38			
30	WC32PVB-01	32	54		43			
36	WC38PVB-01	38	62		50			
40	WC42PVB-01	42	66	54				
46	WC48PVB-01	48	74	2	61		1.5	74
50	WC52PVB-01	52	78		65	78		
60	WC62PVB-01	62	90		76	90		